

BITMAIN

APW3+-12-160000 PSU Series User Guide

Content

1. Overview	3
2. Fetures	3
3. Specifications	4
4. Order Information& Wire Type.....	6
5. Trouble Shooting &FAQ	7
6. Precautions for Use.....	8

1. Overview



The APW3+-12-1600 series AC-DC PSU combines high efficiency and good dynamic performance into a power dense package. It also features overload, overheat, overcurrent and low voltage protection, making it well suited to 12V, $\leq 1600\text{W}$ power devices.

Please note:

1. This PSU cannot be used in countries with a mains power voltage is lower than 205V, the PSU will not start below this voltage

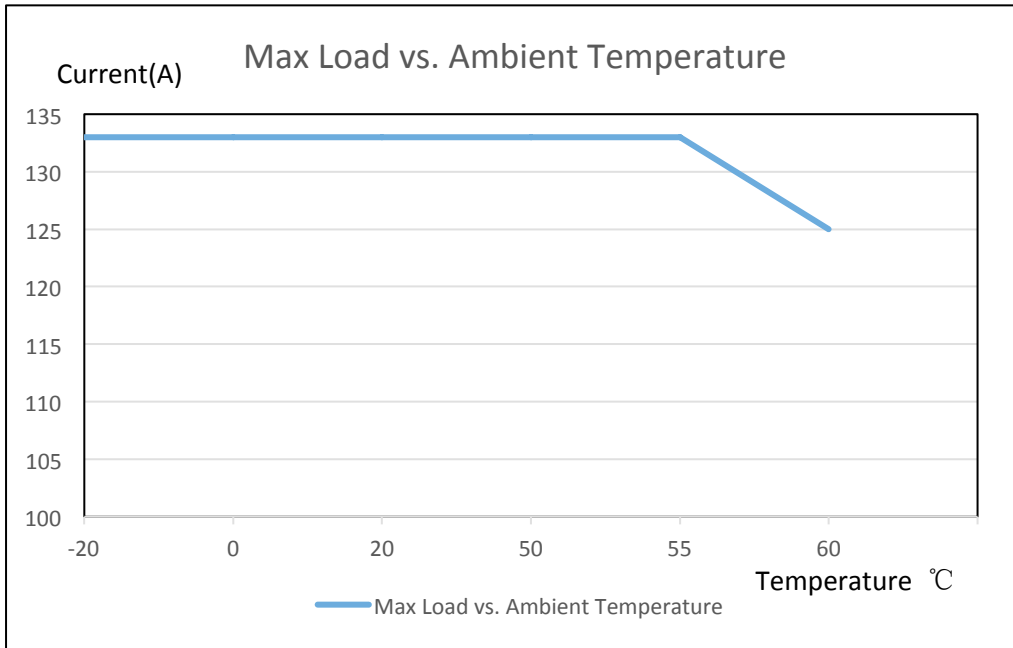
2. Fetures

- $\pm 20\%$ voltage input range
- High efficiency, up to 93.5%
- Short circuit, overload and overheat protection
- Extreme power density, 1U form factor
- 100% rated up to 50°C ambient
- C13 power connector
- 12 Month Warranty

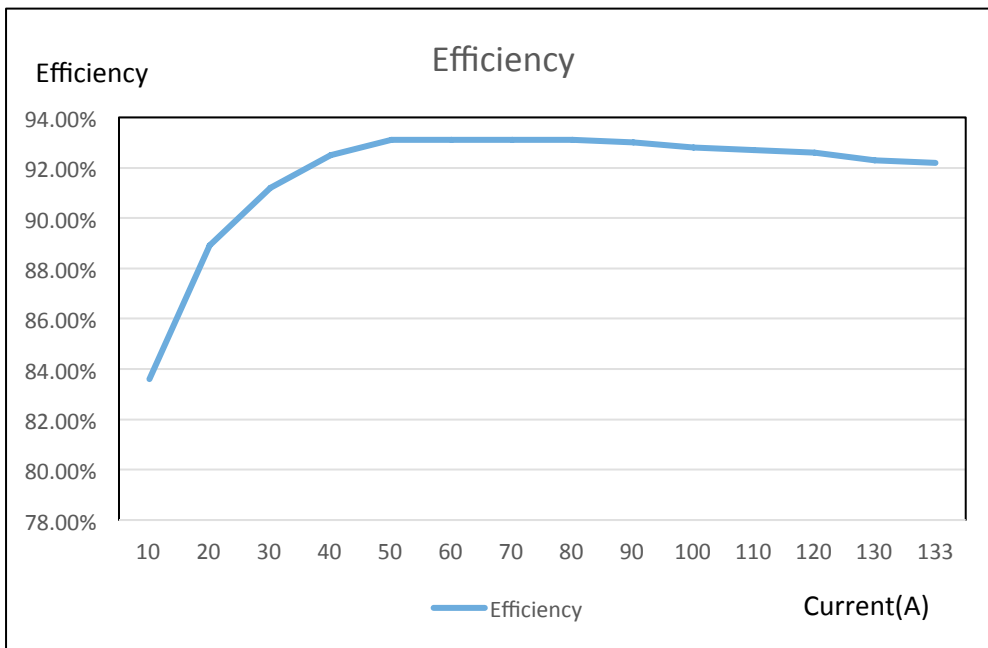
3. Specifications

Output	DC Voltage	12.15V
	Rated Current(220V input)	133A
	Rated Power (220V input)	1600W
	Ripple & Noise	<1%
	Voltage Regulation	<2%
	Source Regulation	<1%
	Load Regulation	<1%
	Setup, Rise Time	<5S
	Power off Protection Trip Time	>10mS
	Interface Type	5pairs of 6pin PCI-E connectors.
Input	Voltage Range	176-264V AC
	Starting Voltage	200-205V AC
	Frequency Range	47-63Hz
	Power Factor	>0.95(full load)
	Leakage Current	<1.5mA(220V 50Hz)
	Low-voltage Input	134-155A
	Output Short Circuit	Yes
Protection	Low-voltage Input (220V input)	171-181V AC
	Output Short Circuit	Yes
	Output Overcurrent(220V input)	134-155A
	Overheat Protection	Yes
Environment Conditions	Operating Temperature	-20-60°C
	Operating Humidity	20%-90% RH (non-condensing)
Structure	Dimensions	266mm*108mm*41mm
	Weight	2.5KG
Cooling	Fan	force-air cooling
	Fan speed	when temperature of the heat sink is higher than 80 °C, the fan runs at full speed

Max Load vs. Ambient Temperature Graph (220V input)

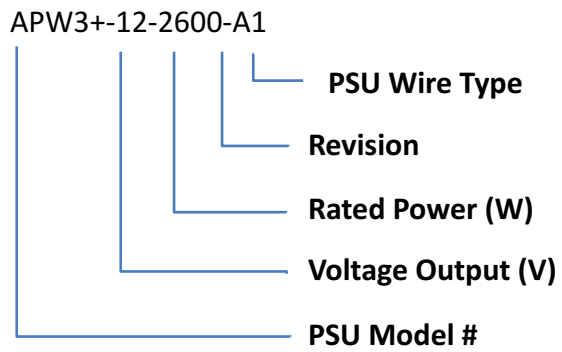


Efficiency vs Load (220V input)



4. Order Information & Wire Type

4.1 Order Information



4.2 Wire Types



6 pairs of 6 pin PCI-E connectors.
450mm length for each PCI-F

5. Trouble Shooting &FAQ

#	Issue	Reason	Troubleshooting
1	Fan won't run, and no 12V output	AC Input is abnormal	<ol style="list-style-type: none"> 1. Make sure the AC input wire has a good connection and the plugs are connected firmly 2. Make sure the mains power is working well and its voltage is above 100V.
2	The fan is running, but there is no 12V output.	<ol style="list-style-type: none"> 1. Voltage in your power system is lower than required 2. PSU is in protection mode 	<ol style="list-style-type: none"> 1. Please check whether the voltage is above 100V with multimeter to make sure the PSU can switch on correctly. 2. Check whether there is a short circuit output or overload that is causing the PSU to enter a locked status. After removing the problem, the PSU should power up.
3	After a few minutes, the PSU stops working, starts working, stops working and keeps cycling.	PSU is in over-heat protection	<ol style="list-style-type: none"> 1. Check whether the fan is working 2. Check whether the fan's vent is being blocked 3. Check whether there is a dust buildup inside the PSU due to prolonged use. Do NOT remove the PSU's cover unless trained to do so. 4. Check the power and ambient temperatures follows the Load/Temperature graph
4	Output is normal, but the fan is not working.	Fan is broken	<ol style="list-style-type: none"> 1. Check that the fan is clear of blockages or buildup 2. Fan is broken and needs to be replaced.
5	The PSU suddenly has no output and can't be started again.	The PSU is in over-current protection.	Check whether the load current has exceeded the built-in overcurrent protection limit. The protection automatically triggers when the load current exceeds the limit to protect against damage to the PSU and the miner.

6. Precautions for Use

1. Before using the PSU, please ensure that the voltage and power outputs are compatible with your equipment.
2. Please ensure that the PSU appears to be in good shape and has not suffered damage in transit. If the exterior of the PSU appears damaged, do not use it.
3. Make sure that the metal cover for the PSU with on/off switch is properly grounded. Improper grounding is dangerous.
4. The PSU must be installed in such a way that it receives good, unobstructed airflow. Under no circumstances should the PSU be installed in an enclosed place.
5. When installing the PSU, please double check that the output polarities are the correct way round, and that the screws are fastened securely in place.
6. Do not attempt maintenance on any wiring while the PSU is powered up from the mains.
7. Running the PSU at <80% load or below can greatly prolong the life of the PSU. Usually, for every 10°C above the rated amount, the life of the PSU is cut in half.